

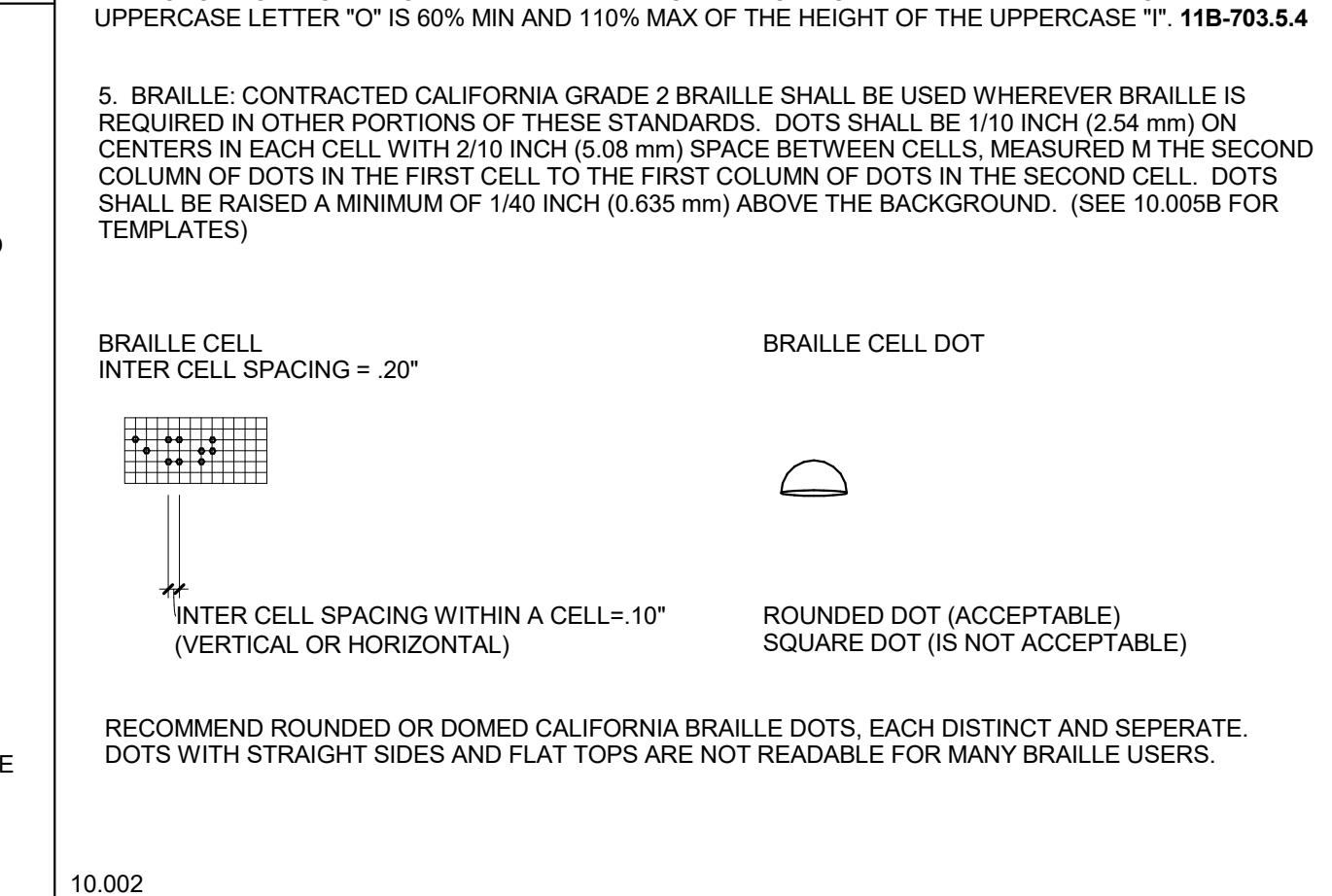
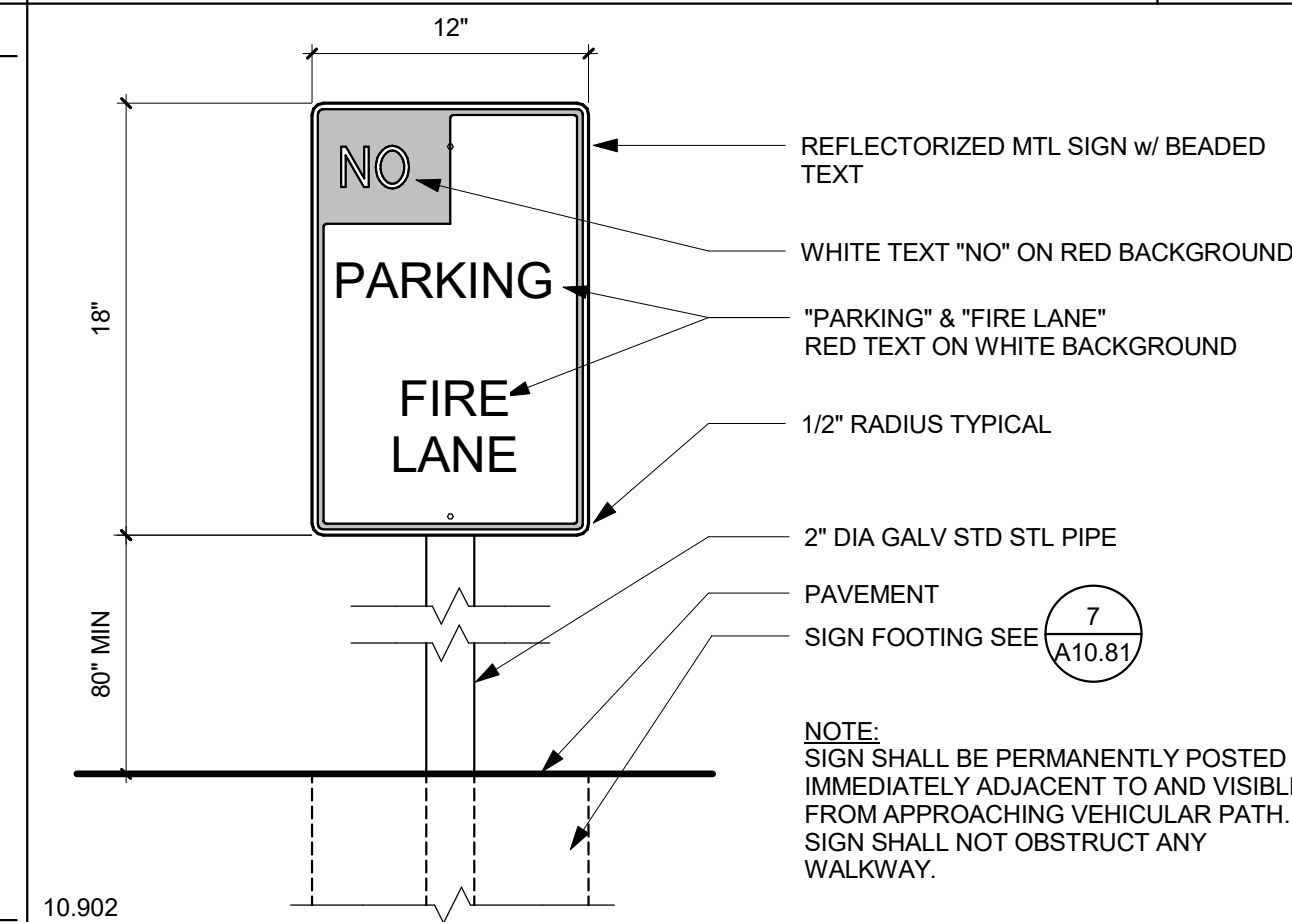
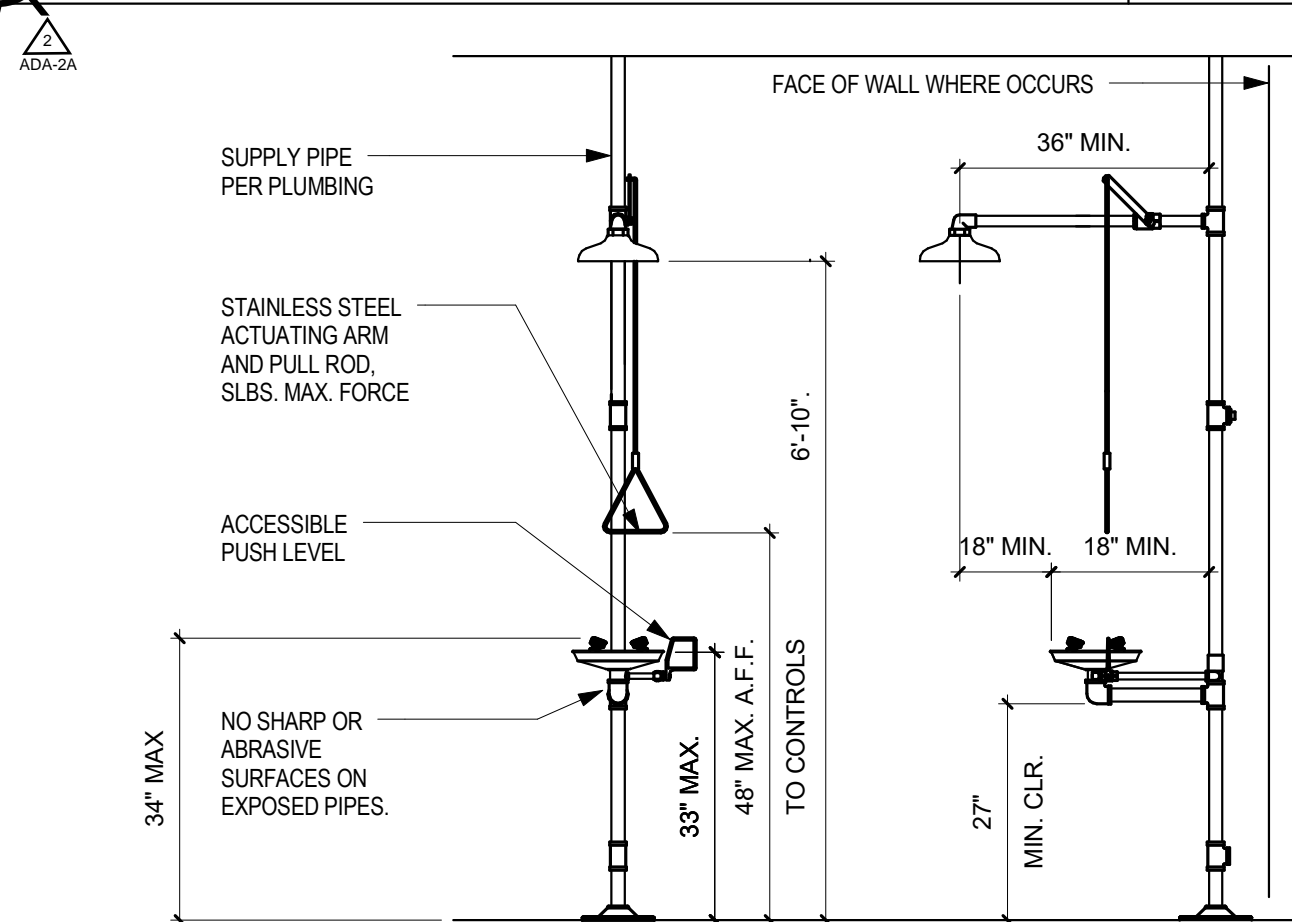
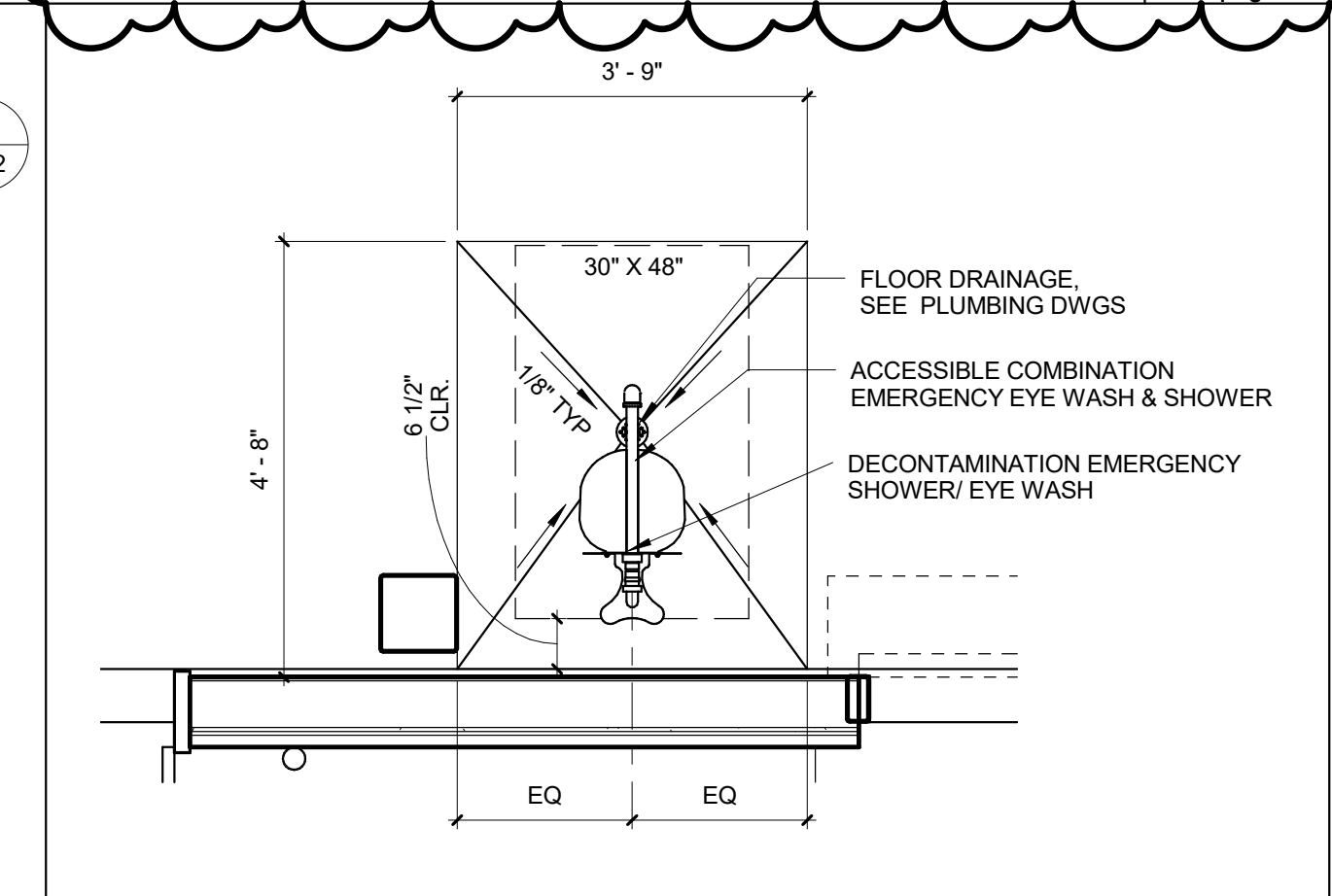
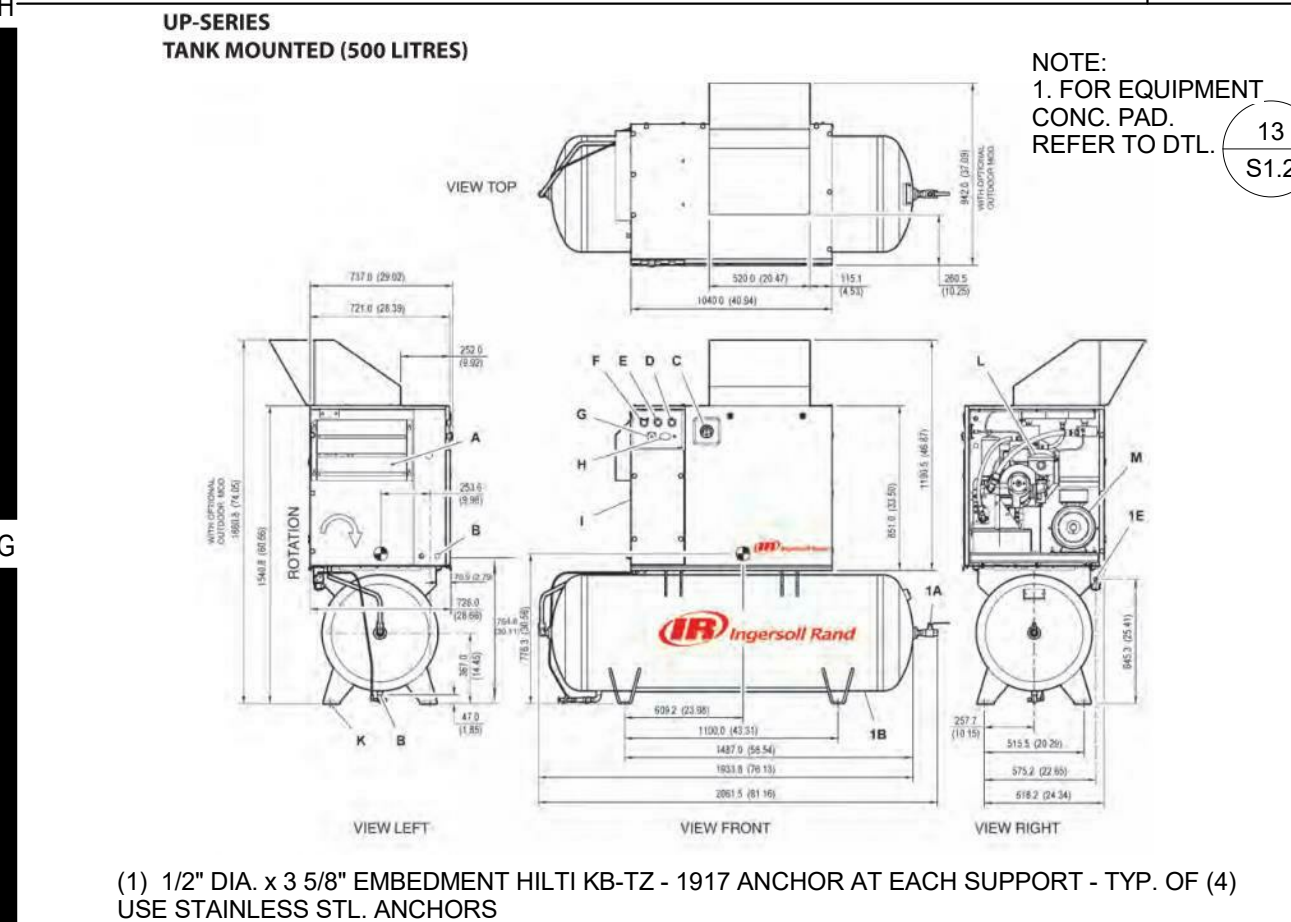
FLOOR SINK 25
 1/2" = 1'-0"

METAL STUD BACKING 20
 1 1/2" = 1'-0"

REQUIRED KNEE & TOE CLEARANCES 15
 3/4" = 1'-0"

ACCESSIBILITY SIGN 10
 1/8" = 1'-0"

CHARACTER & BRAILLE STANDARDS 4
 3" = 1'-0"



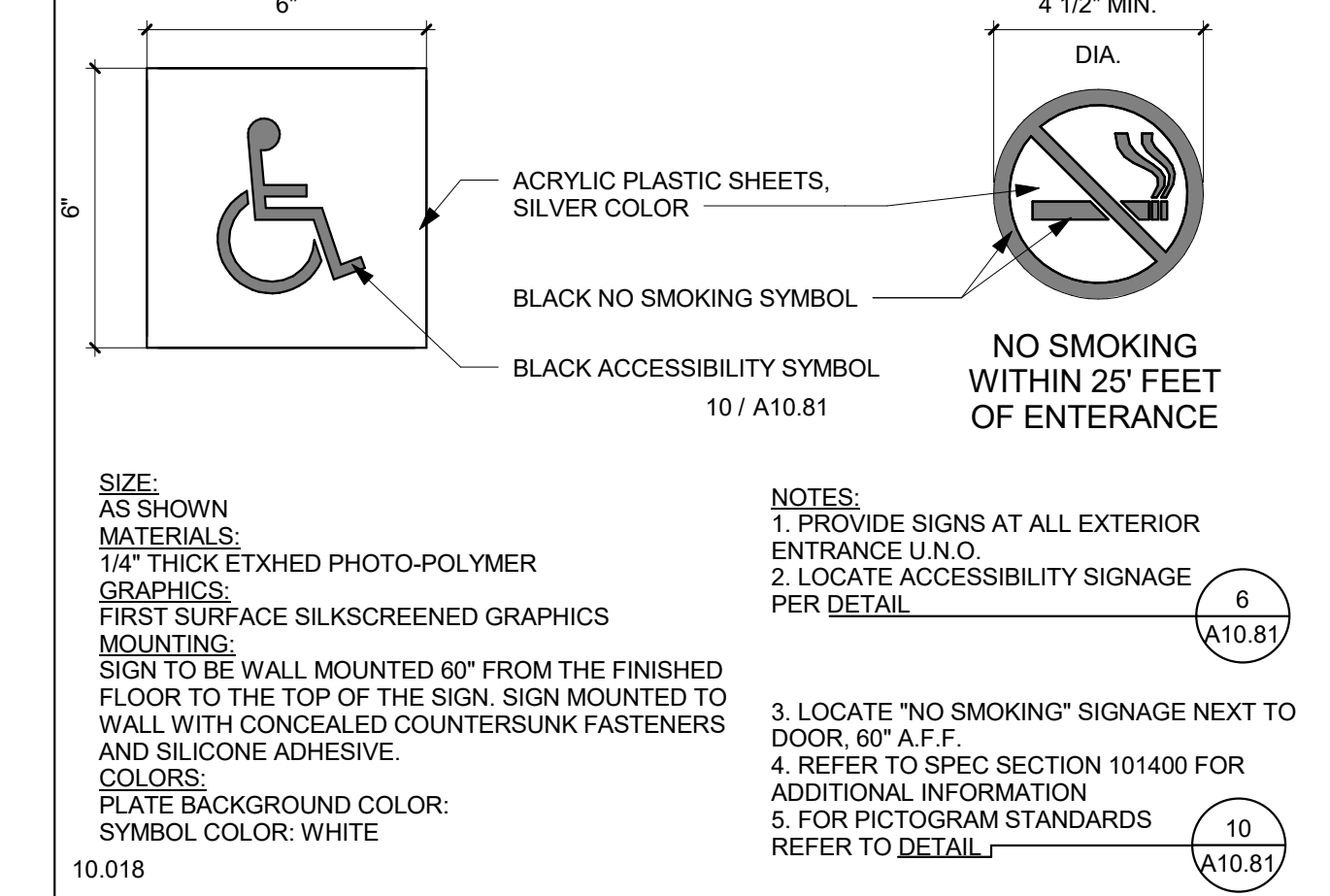
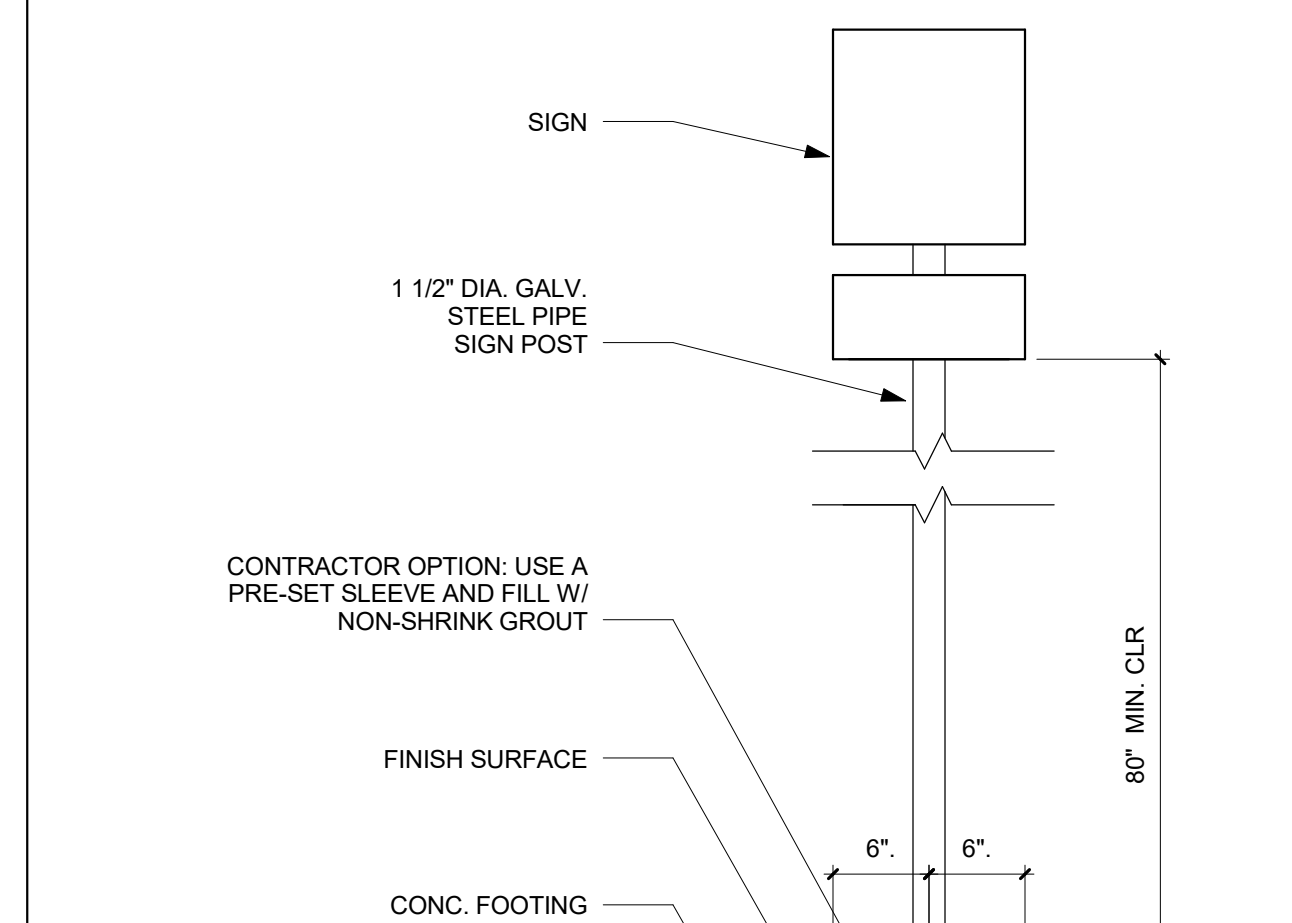
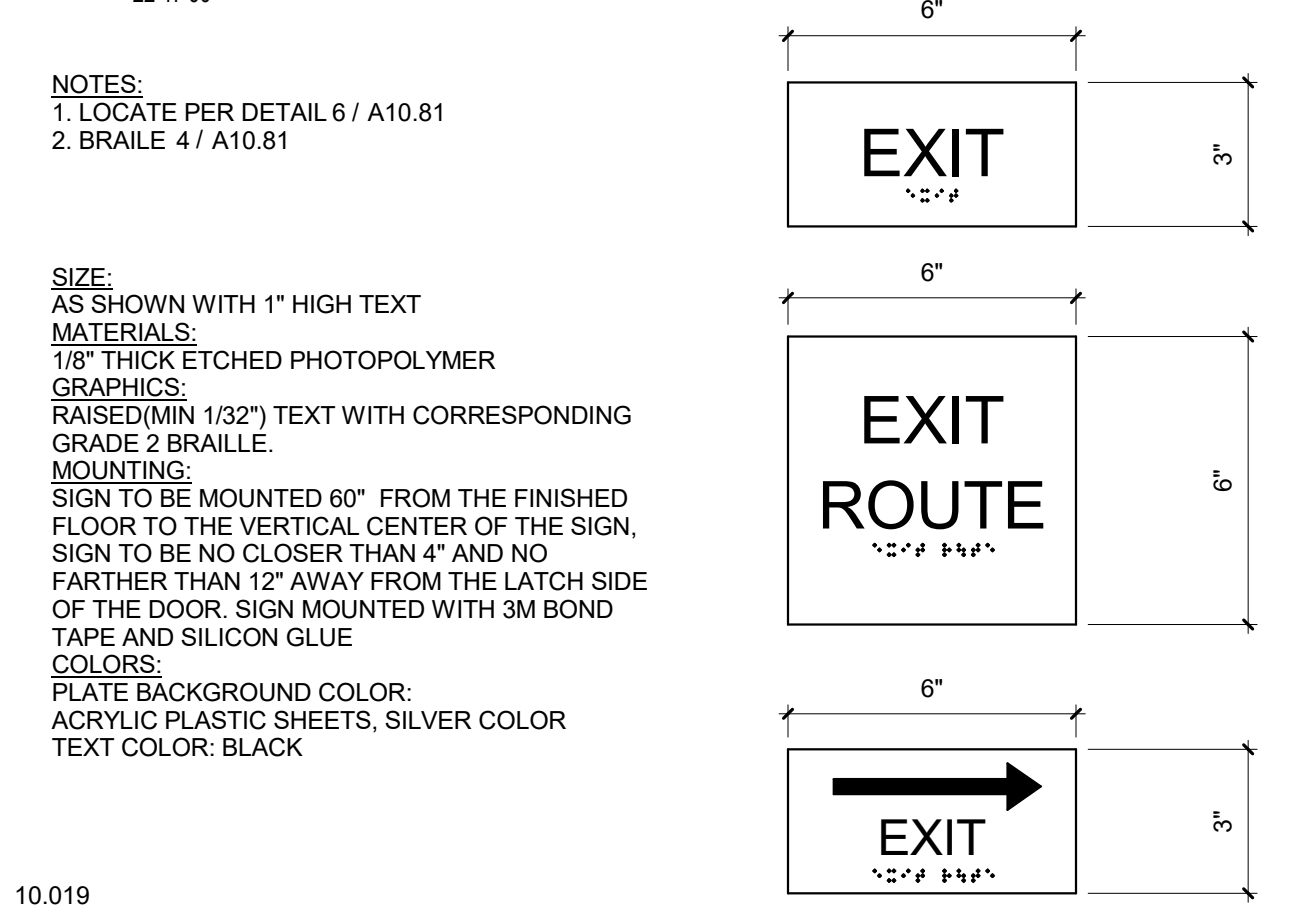
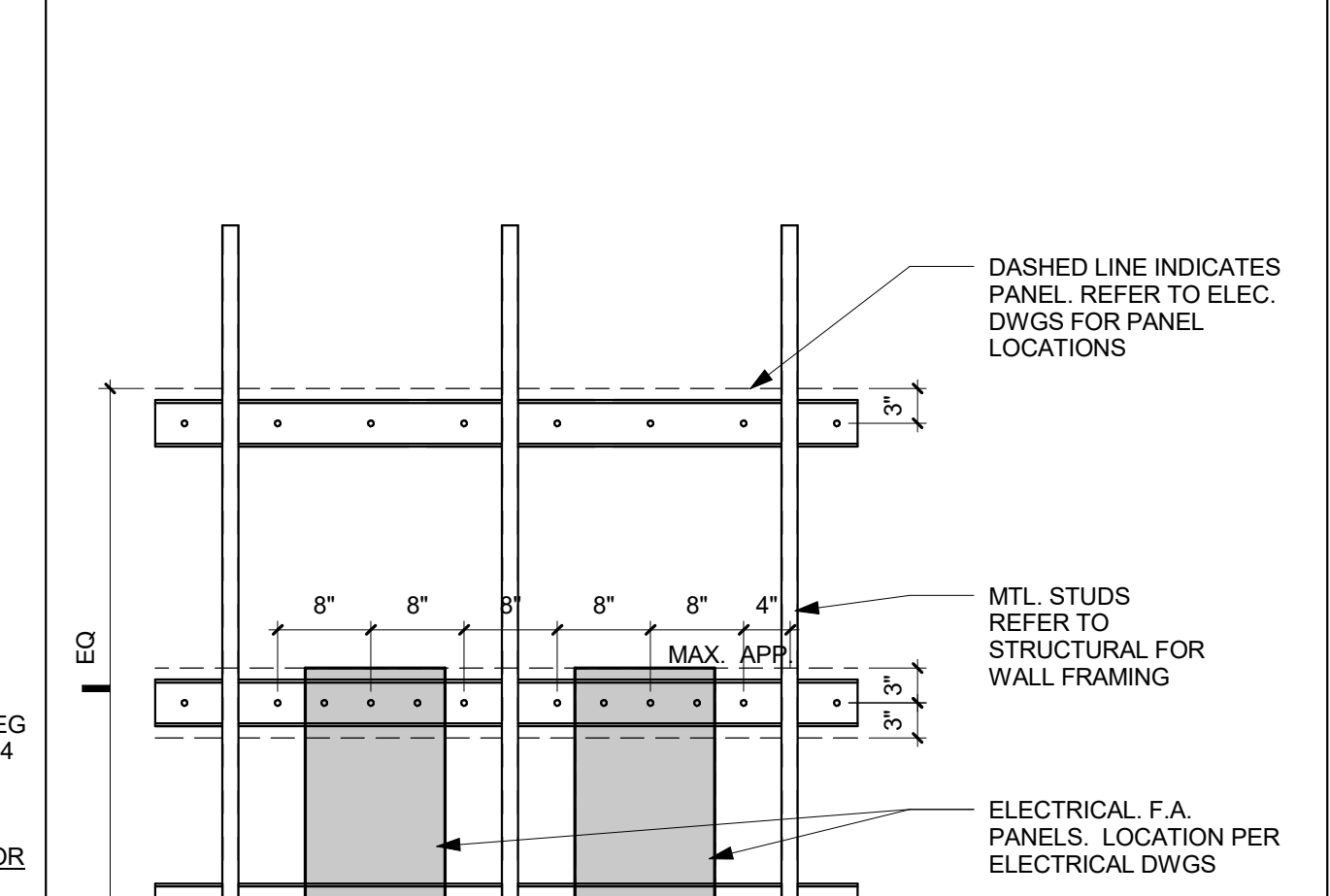
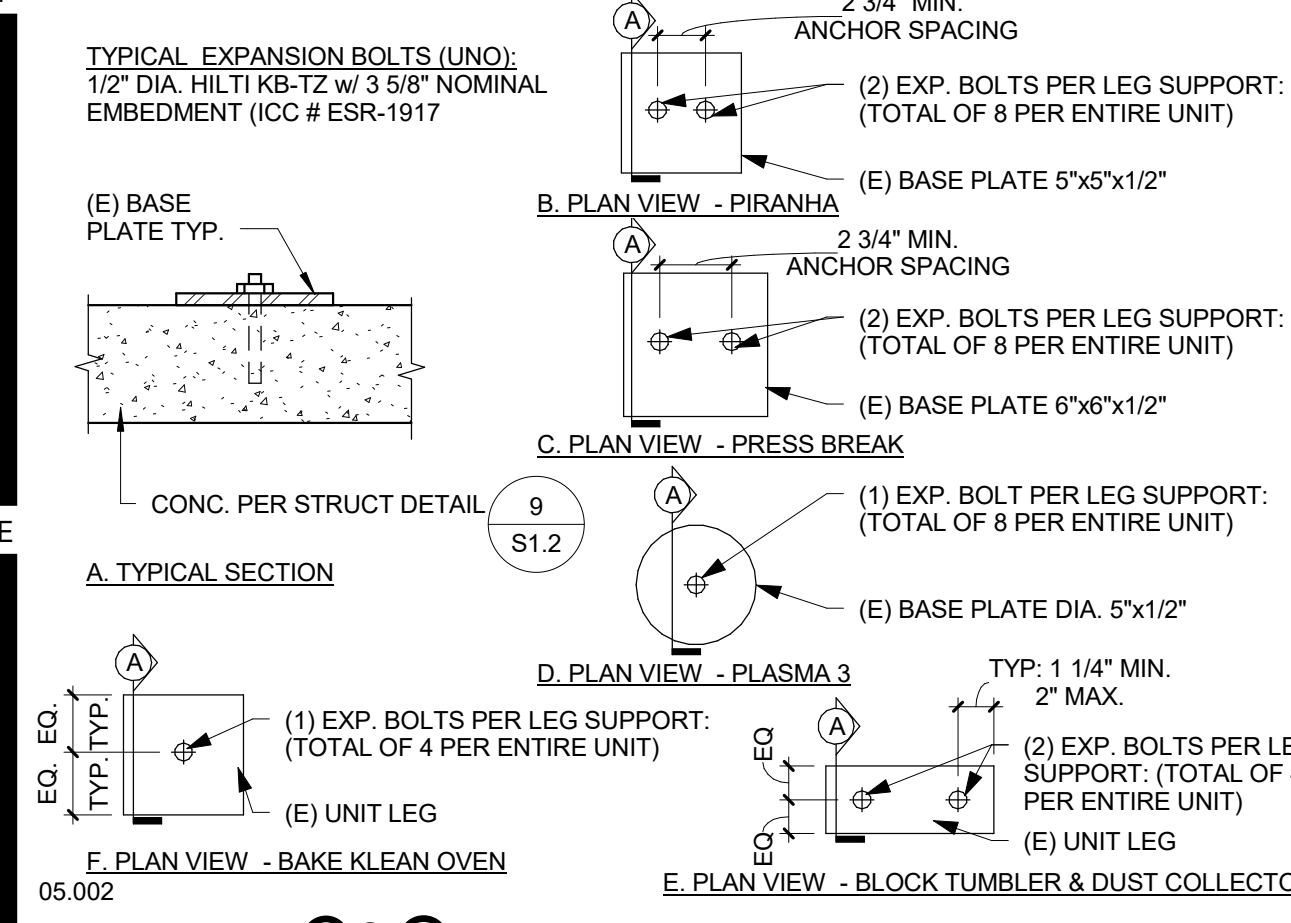
AIR COMPRESSOR ANCHORAGE 24
 NTS

SHOWER PLAN VIEW 19
 1/2" = 1'-0"

ACCESSIBLE EYEWASH/ SAFETY SHOWER 14
 1/2" = 1'-0"

FIRE LANE SIGN 9
 1 1/2" = 1'-0"

CHARACTER & BRAILLE STANDARDS 4
 3" = 1'-0"



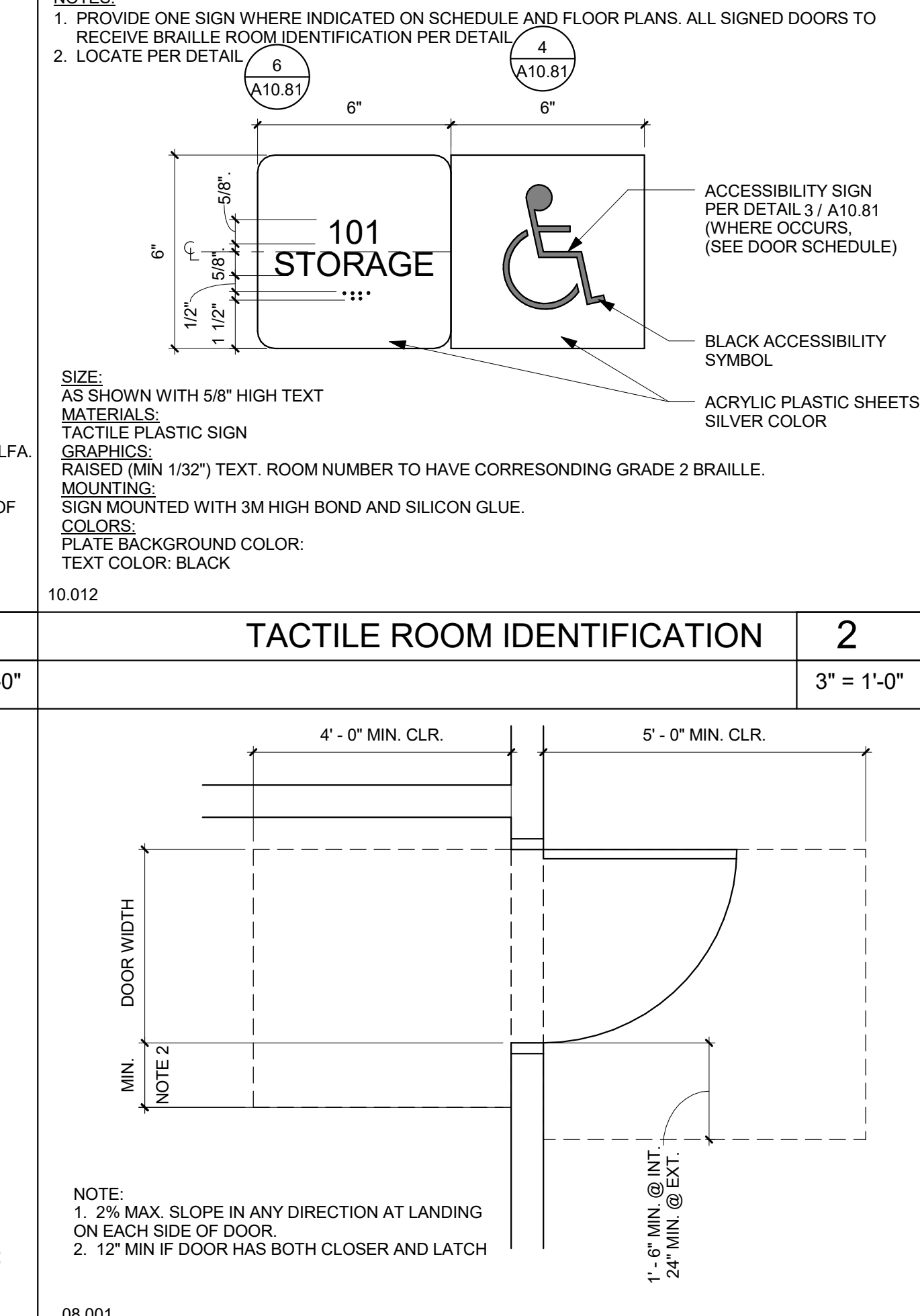
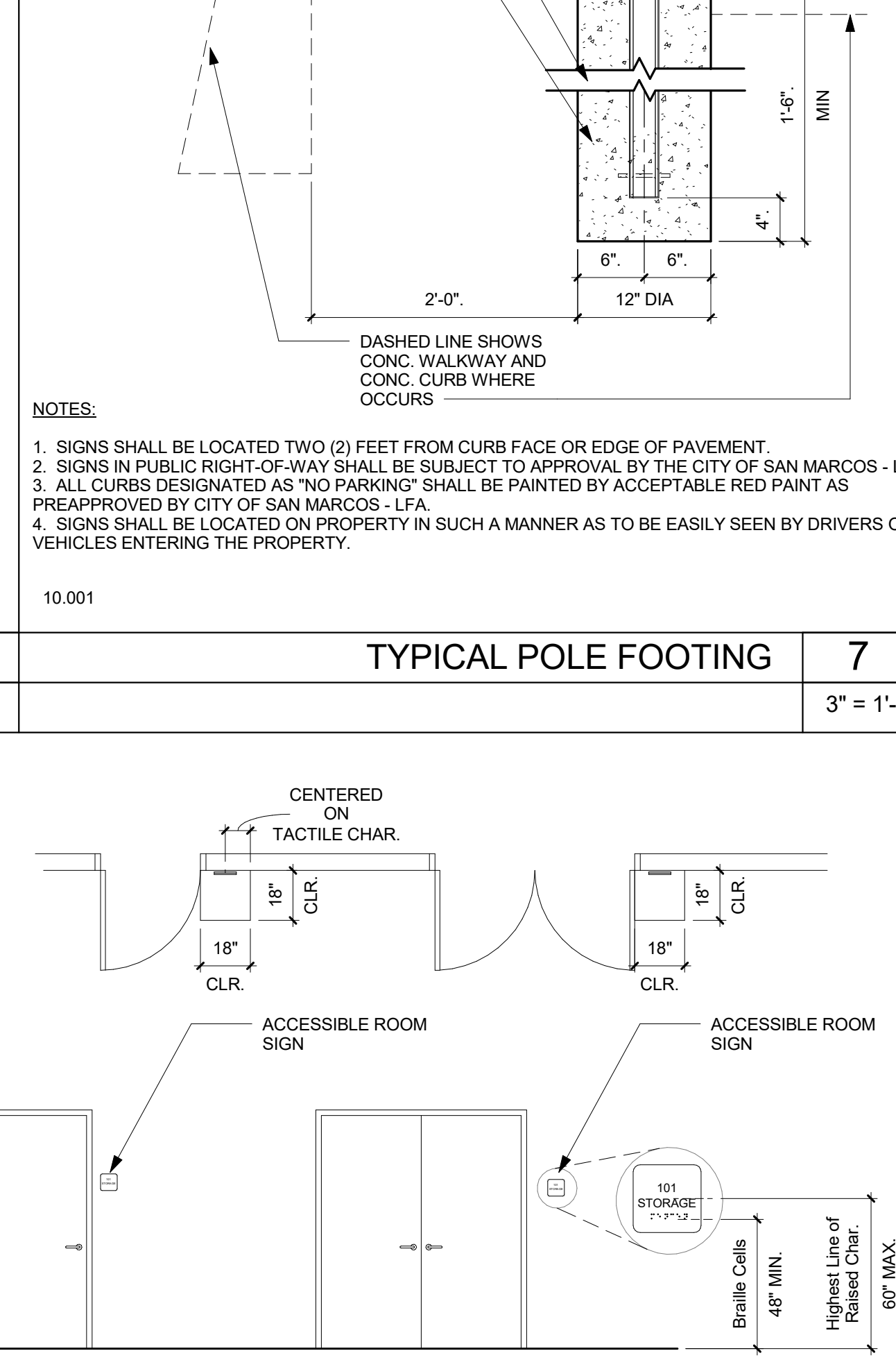
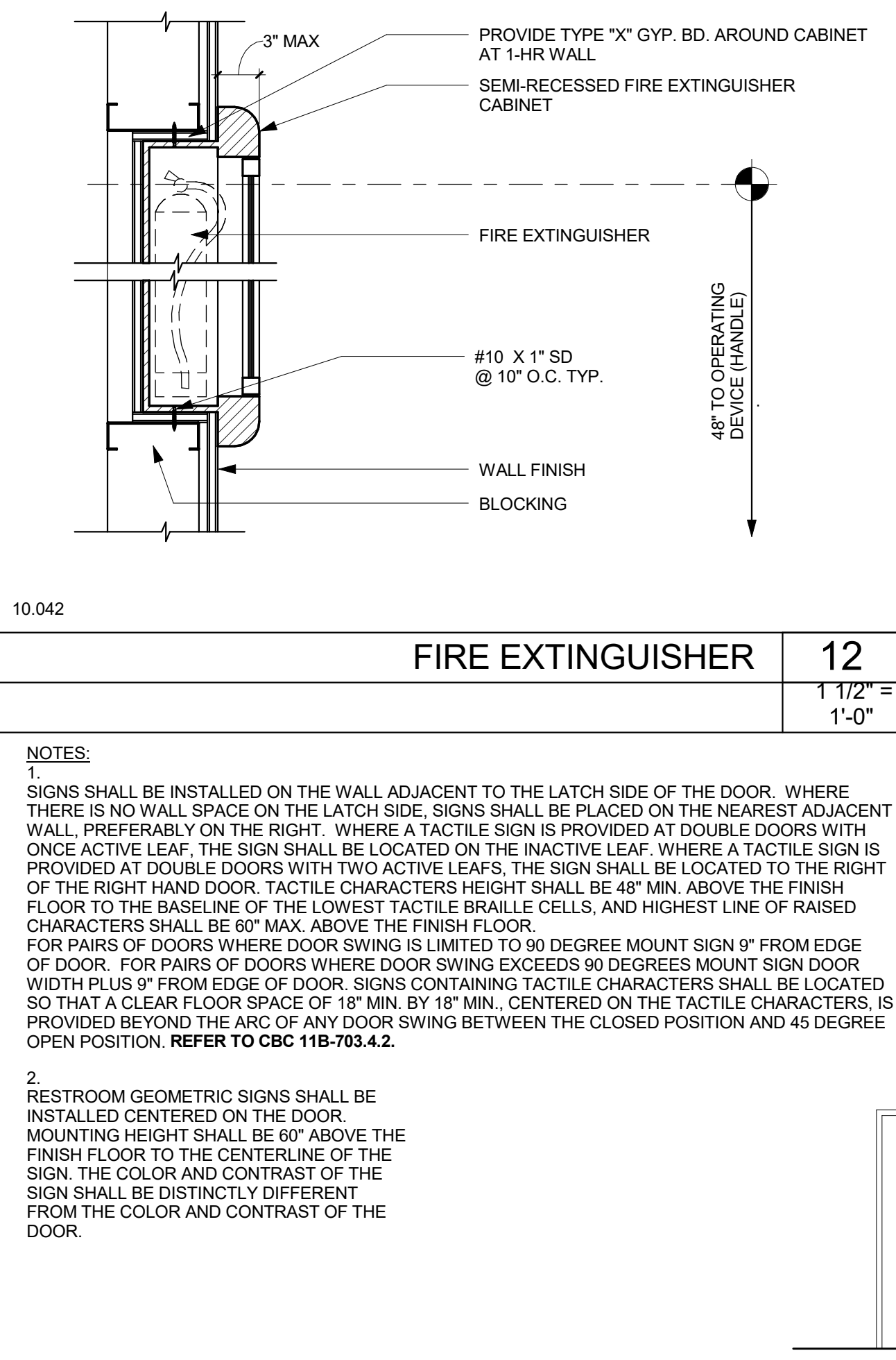
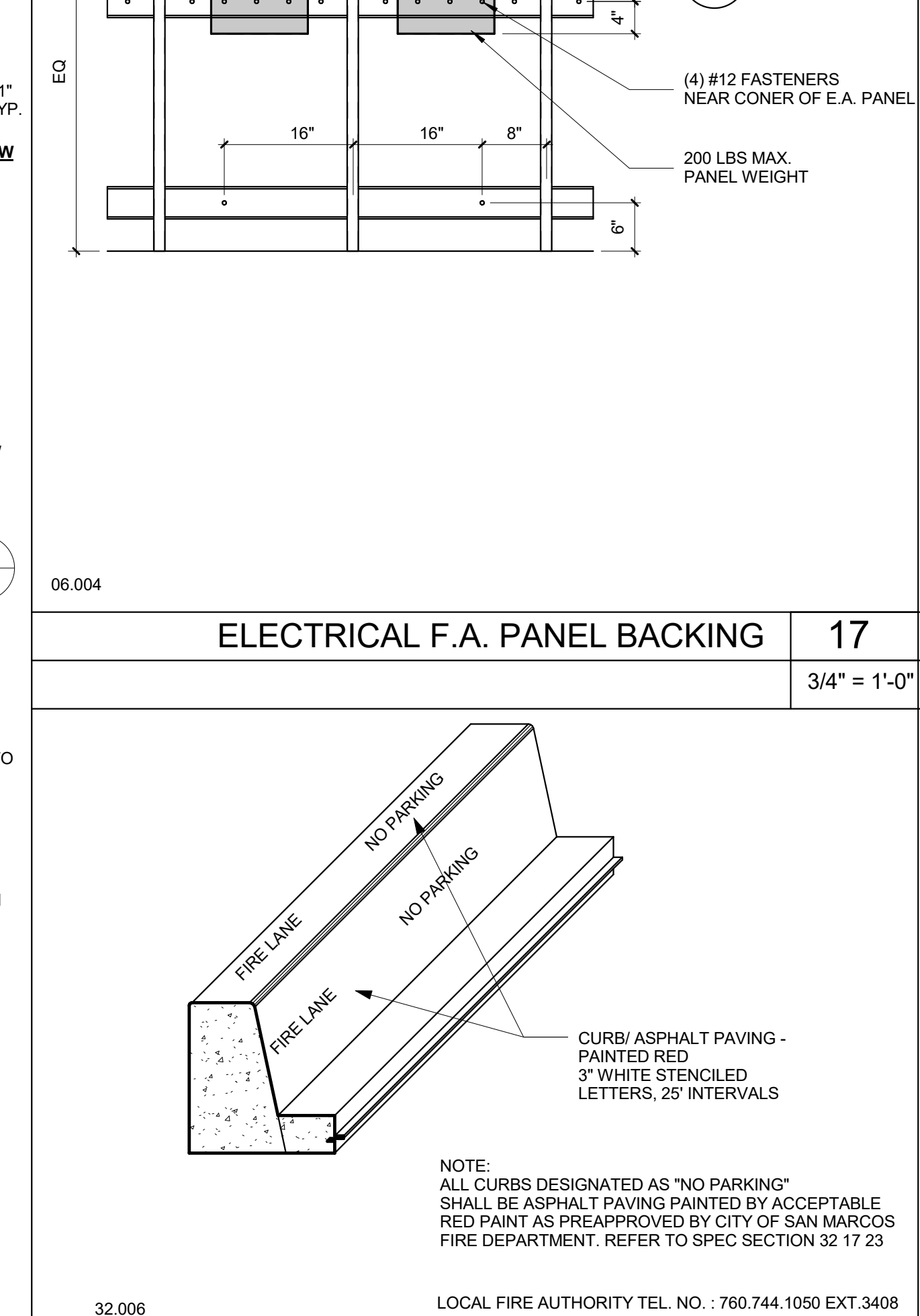
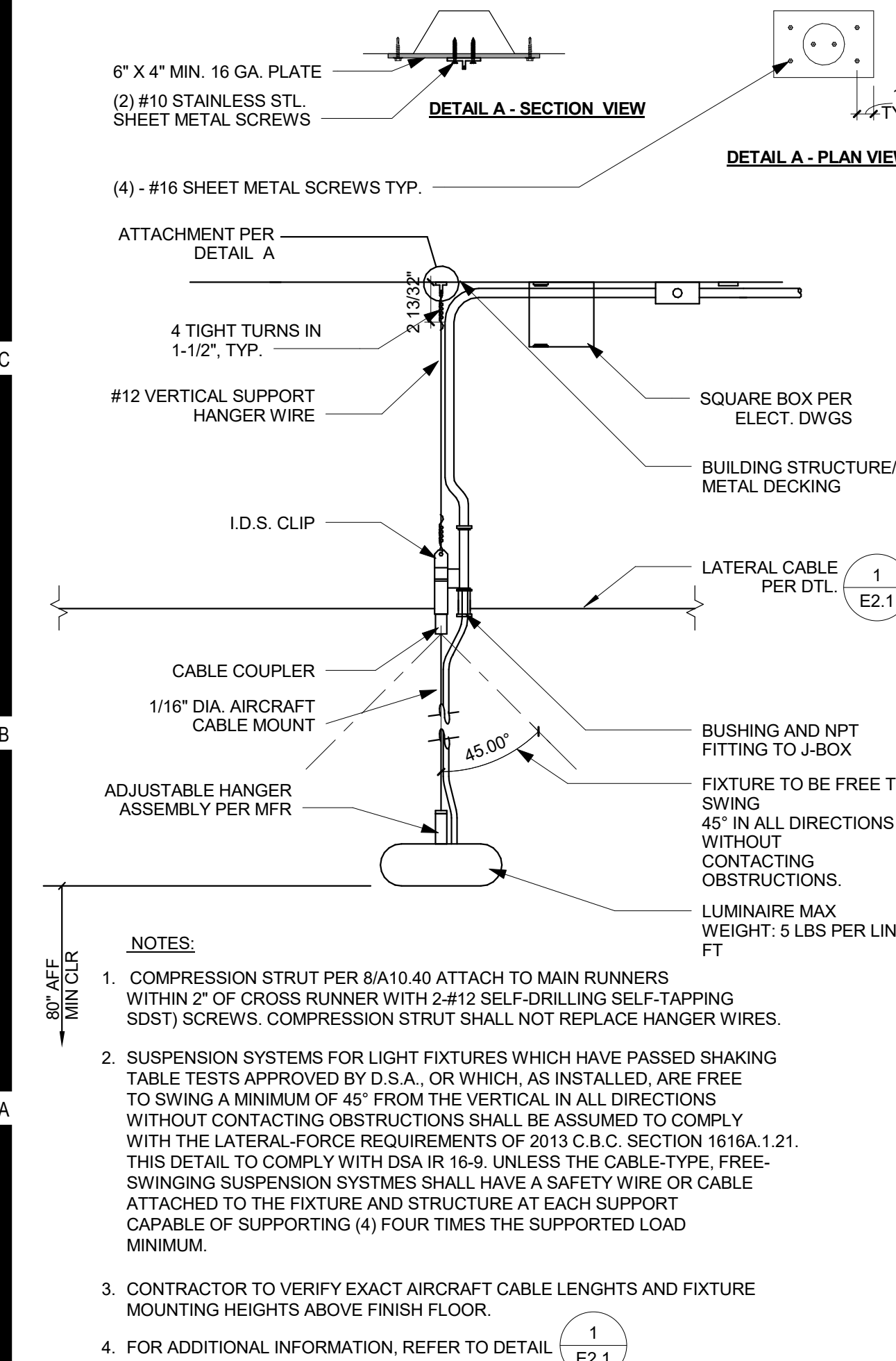
BLDGS 1 & 3 EQUIPMENT ANCHORAGE ATTACHMENT DETAIL 23
 1 1/2" = 1'-0"

ELECTRICAL F.A. PANEL BACKING 17
 3/4" = 1'-0"

TACTILE EXIT SIGNAGE 13
 3" = 1'-0"

FIRE EXTINGUISHER 12
 1 1/2" = 1'-0"

ACCESSIBLE SIGNAGE 3
 3" = 1'-0"



PENDANT LIGHT FIXTURE SUPPORT 21
 1 1/2" = 1'-0"

FIRE LANE CURB 16
 3/4" = 1'-0"

DOOR SIGNAGE LOCATIONS 6
 1/4" = 1'-0"

TACTILE ROOM IDENTIFICATION 2
 3" = 1'-0"

DOOR LANDING AND CLEARANCES 1
 1/2" = 1'-0"

Consultant Seal	Agency Approval	FILE NO 37-C1
IDENTIFICATION STAMP DIV. OF THE STATE ARCHITECT		
APPL. 04-115420	ACS. _____	FLS. _____
DATE _____	SSS _____	

Project Title	PALOMAR COLLEGE NEW STORAGE BUILDINGS
Address	1140 W. MISSION RD., SAN MARCOS, CA 92069 (760) 744-1150

No.	Description	Date
ADA-2A	PRE-BID RFI NO. 05	10/18/2018

SIGNAGE & MISCELLANEOUS DETAILS

Designed:	DS	Project No.	3443001-302
Drawn:	VH,GS	Scale:	As indicated
QA/QC:	KS	Drawing No.	A10.81
Date:	10/18/2018		



C:\Revit\Local Files\3443001-A15_Central_mhmanendez.rvt