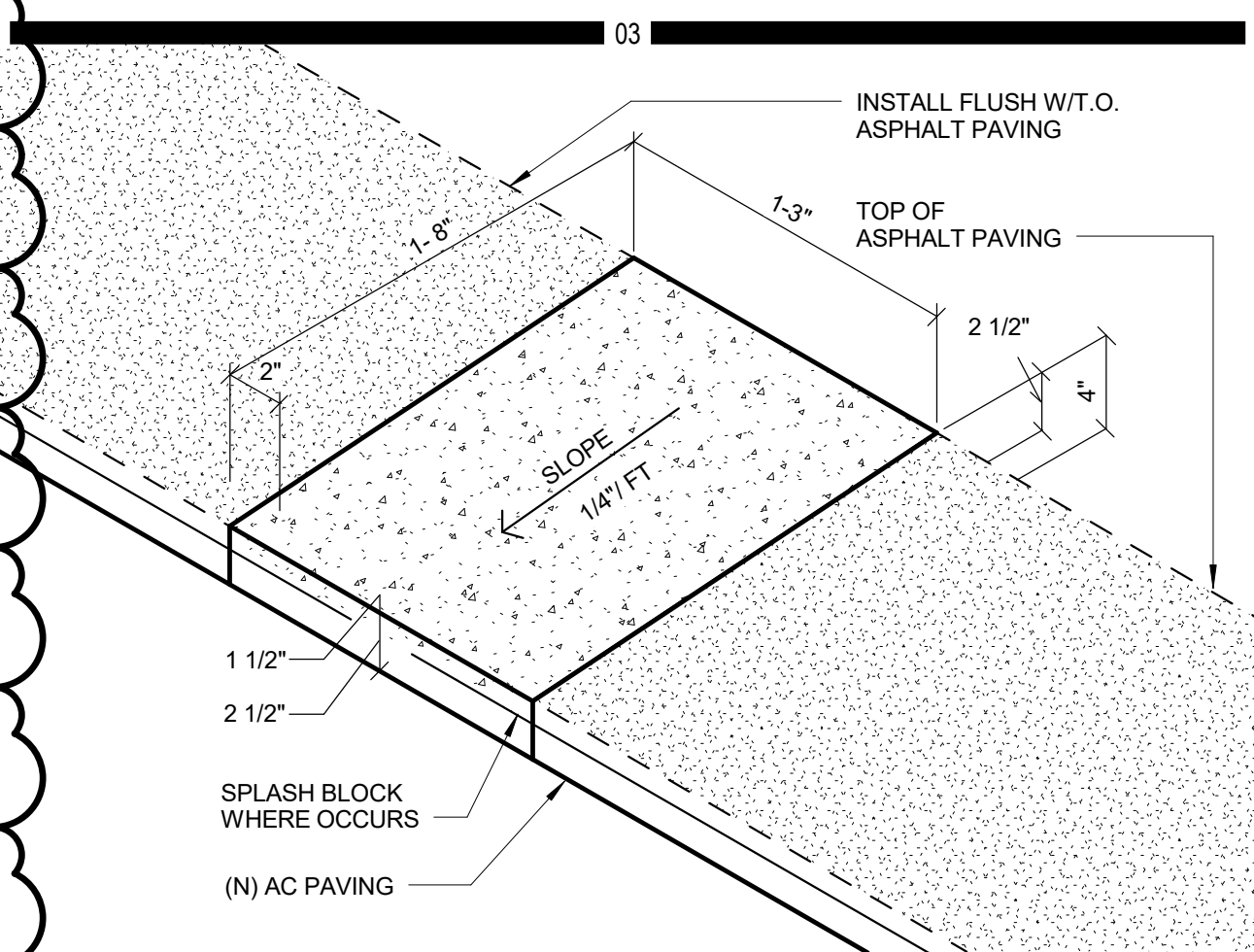
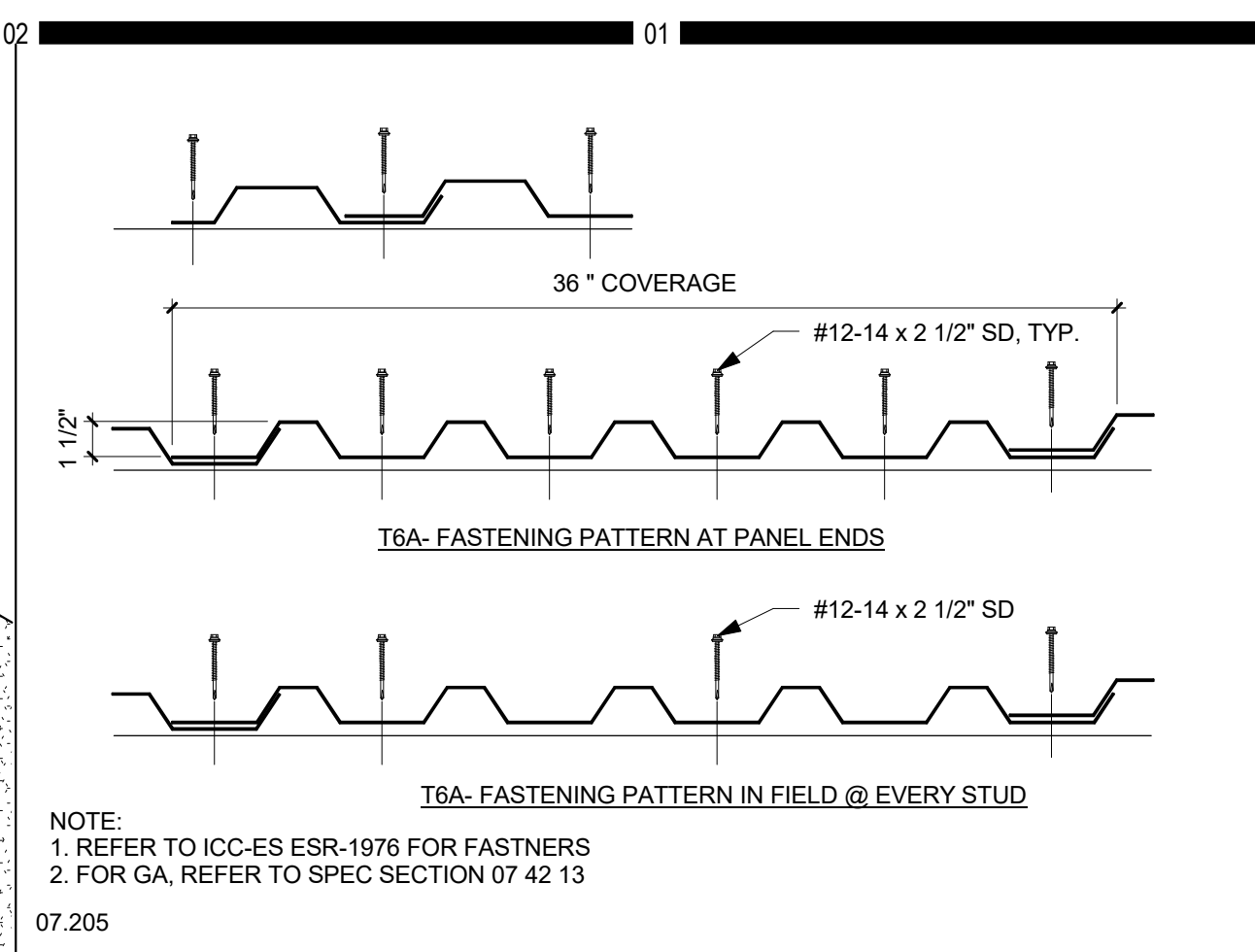


NOT USED 25 BACKING @ VERTICAL PLYWOOD JOINT 20 3\"/>

FRP @ SHOWER PLAN/SINK 15 3\"/>

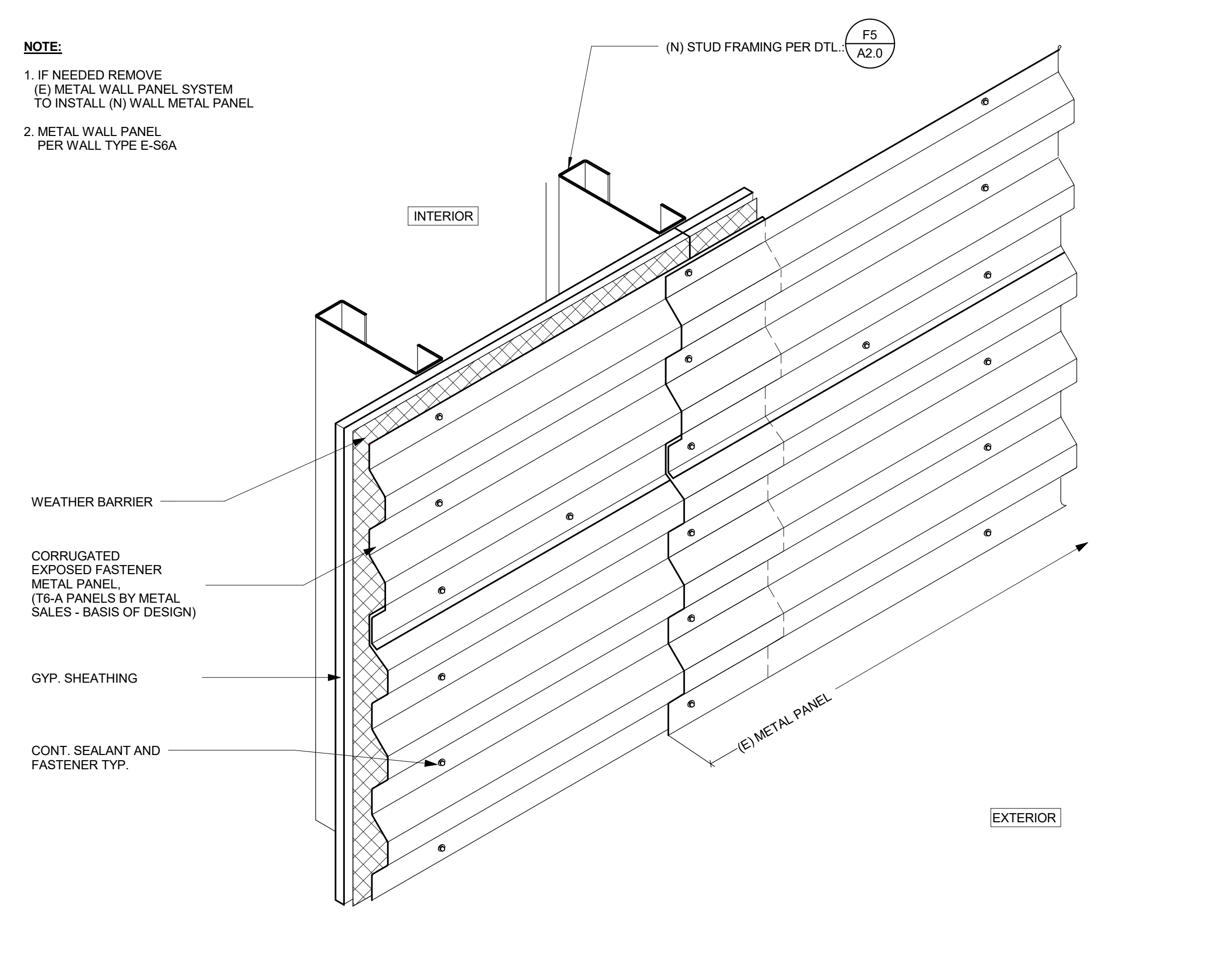


SPLASHBLOCK 10 1 1/2\"/>

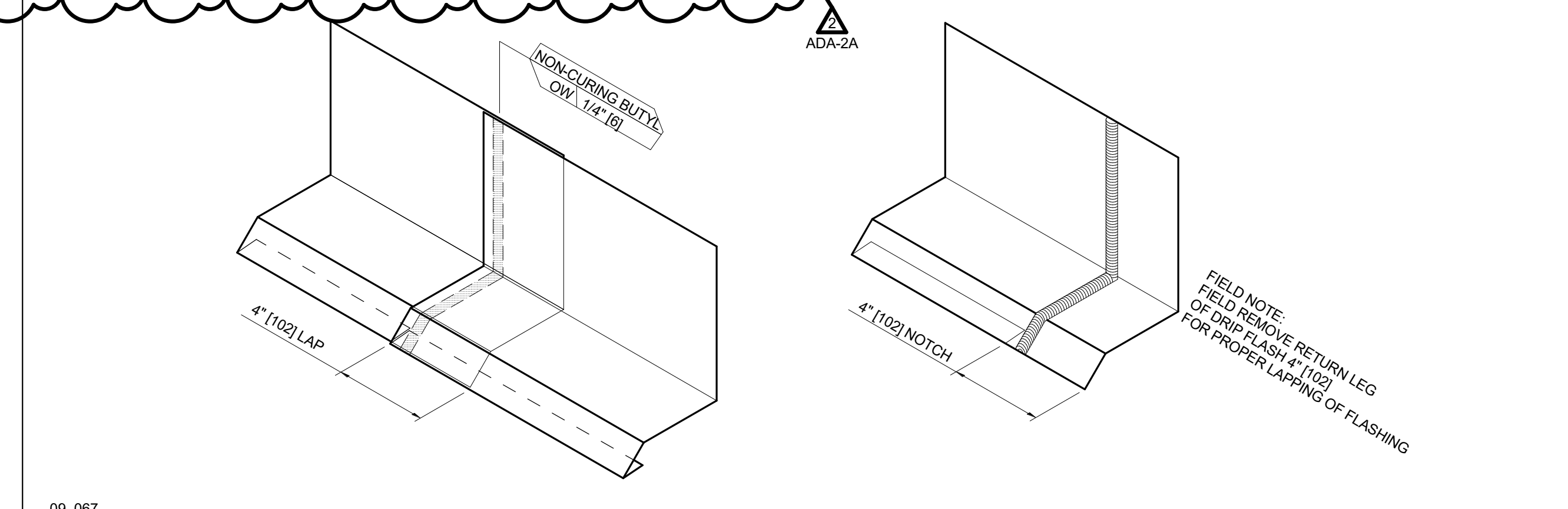


METAL PANEL FASTENING PATTERN 5 1 1/2\"/>

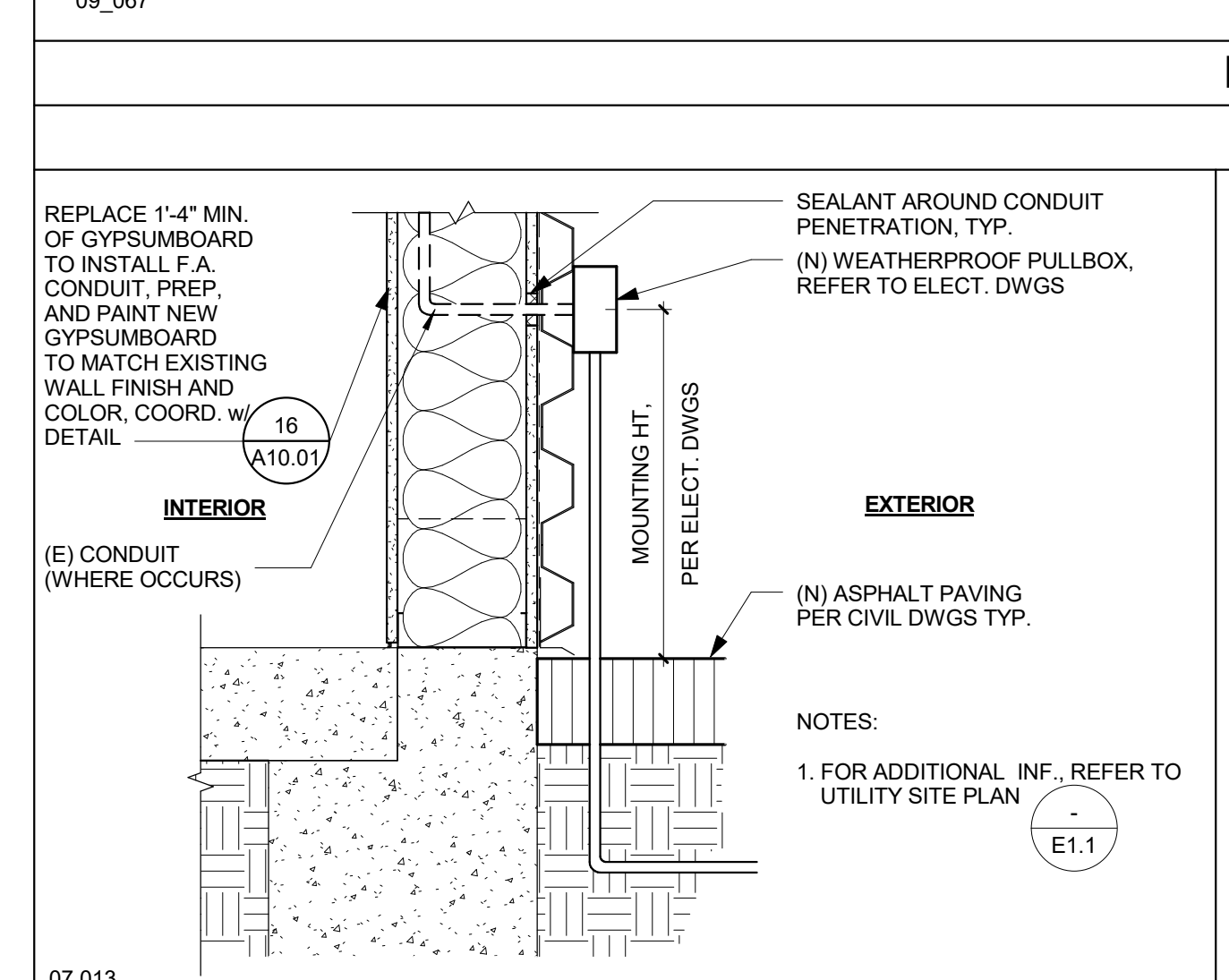
NOTE:
 1. IF NEEDED REMOVE (E) METAL WALL PANEL SYSTEM TO INSTALL (N) WALL METAL PANEL
 2. METAL WALL PANEL PER WALL TYPE E-S6A



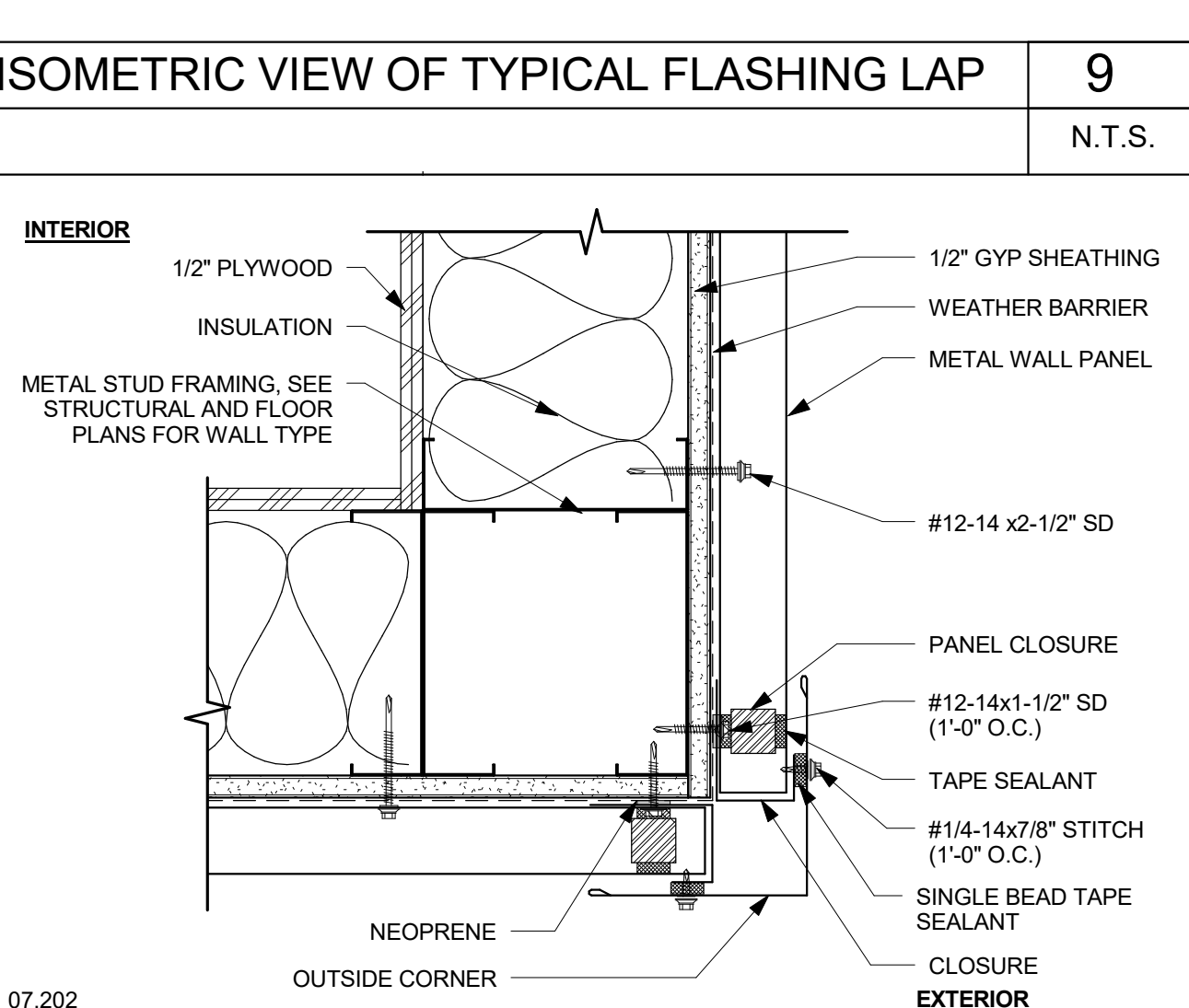
TYPICAL METAL PANEL ASSEMBLY @ BLDG T - WALL INFILL 18 3\"/>



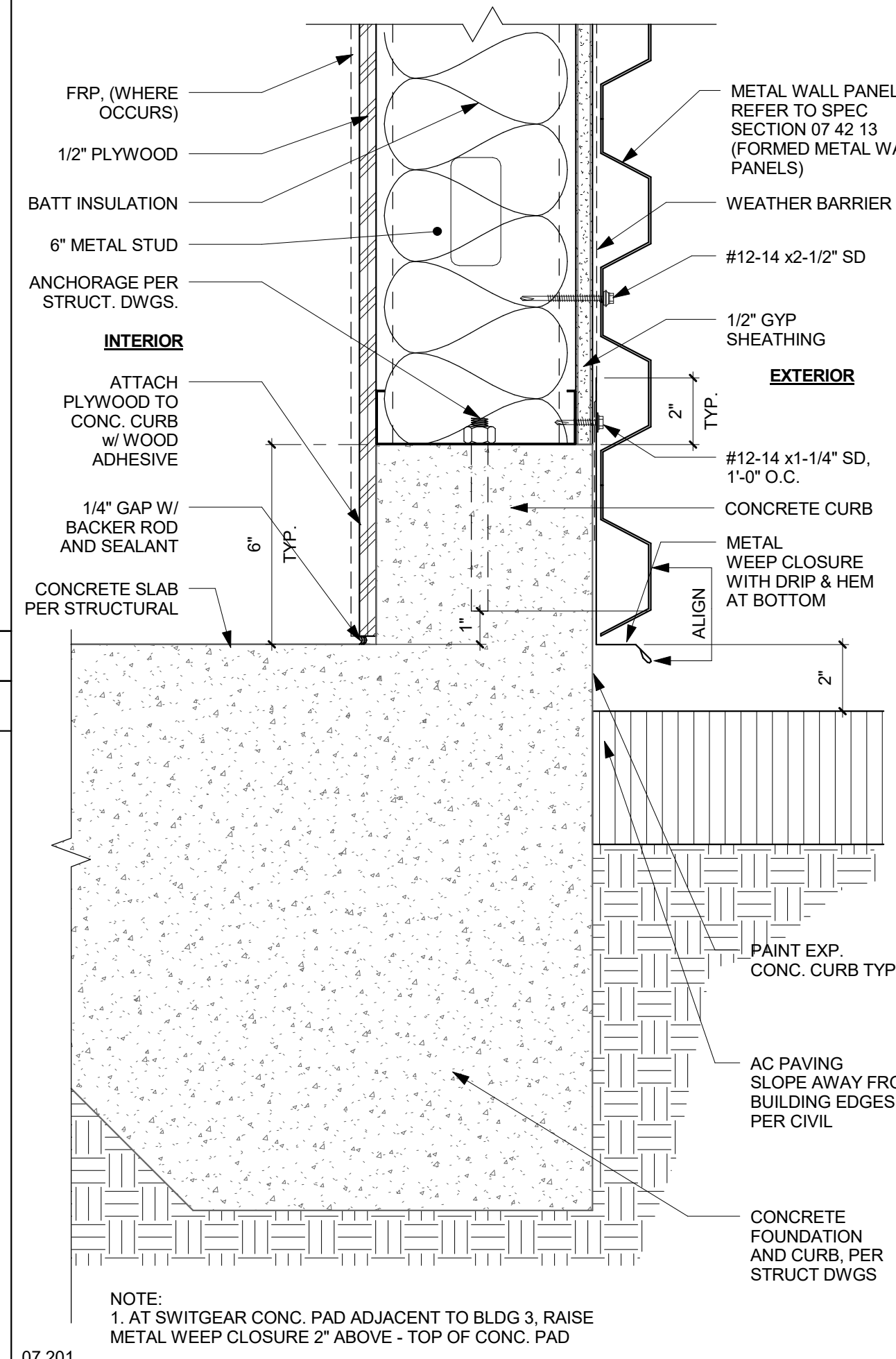
ISOMETRIC VIEW OF TYPICAL FLASHING LAP 9 N.T.S.



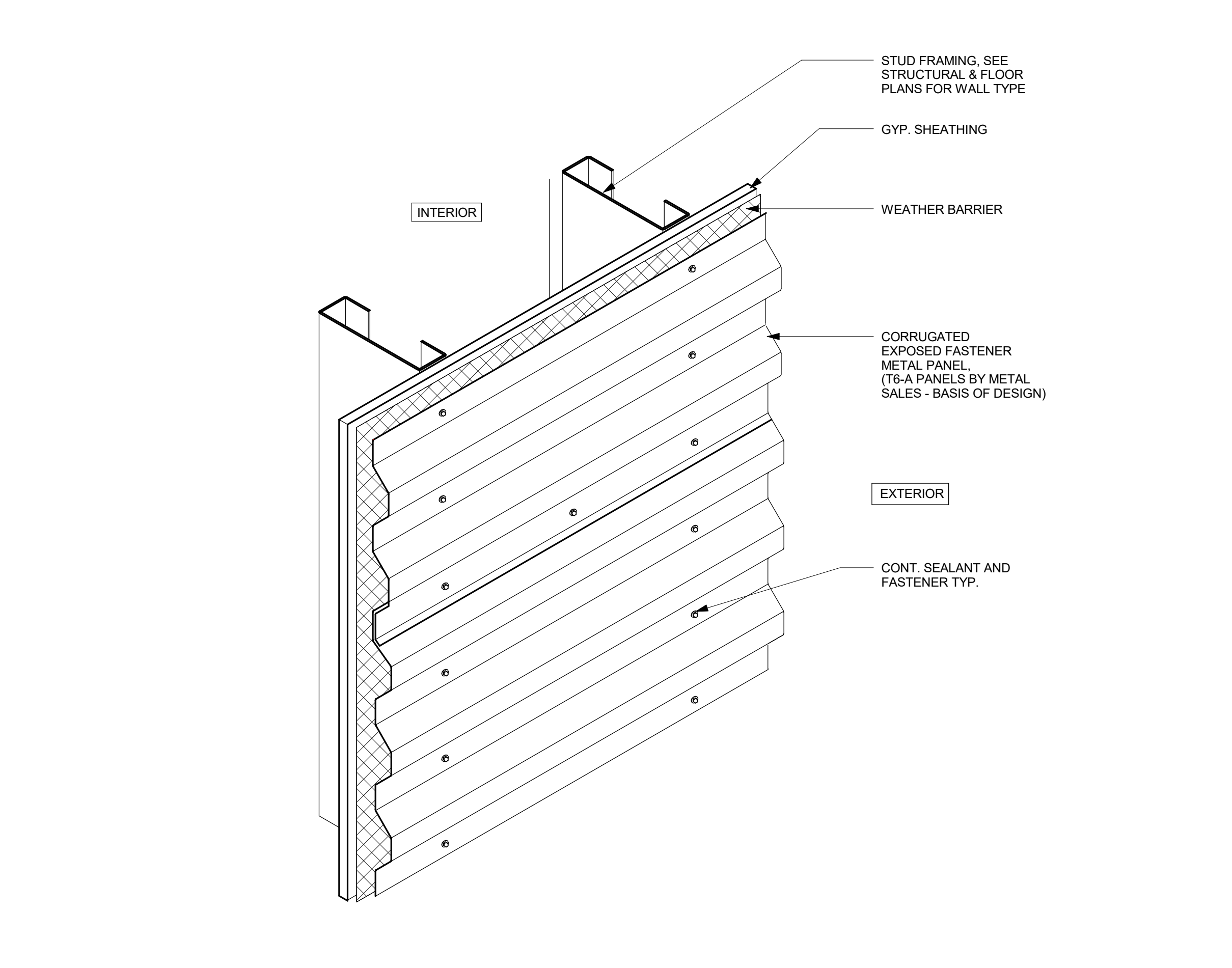
(N) J-BOX AT (E) WALL - BLDG T OFFICE 120B 13 1 1/2\"/>



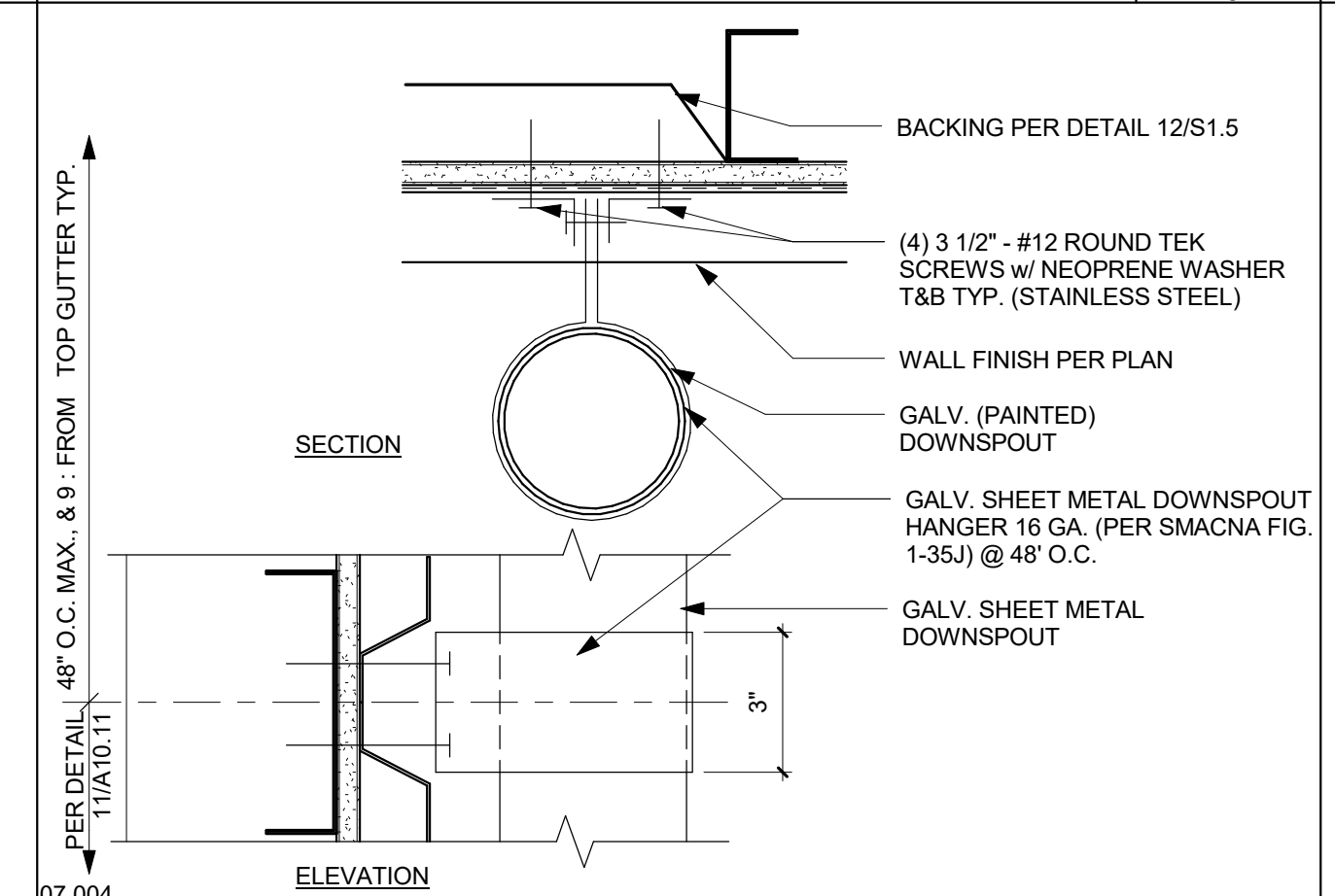
METAL PANEL AT EXTERIOR CORNER 8 3\"/>



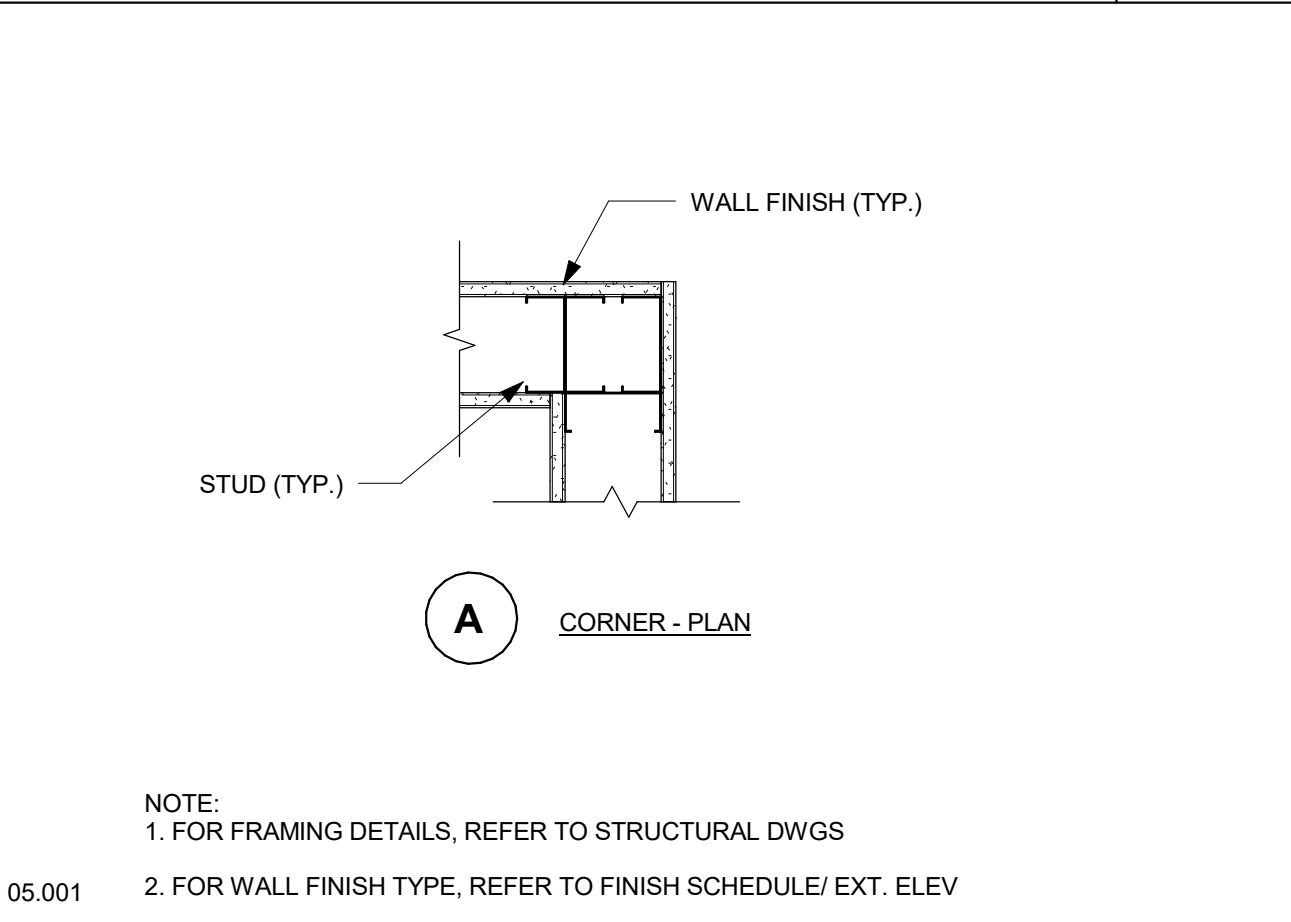
CORRUGATED MTL PANEL @ BASE 3 3\"/>



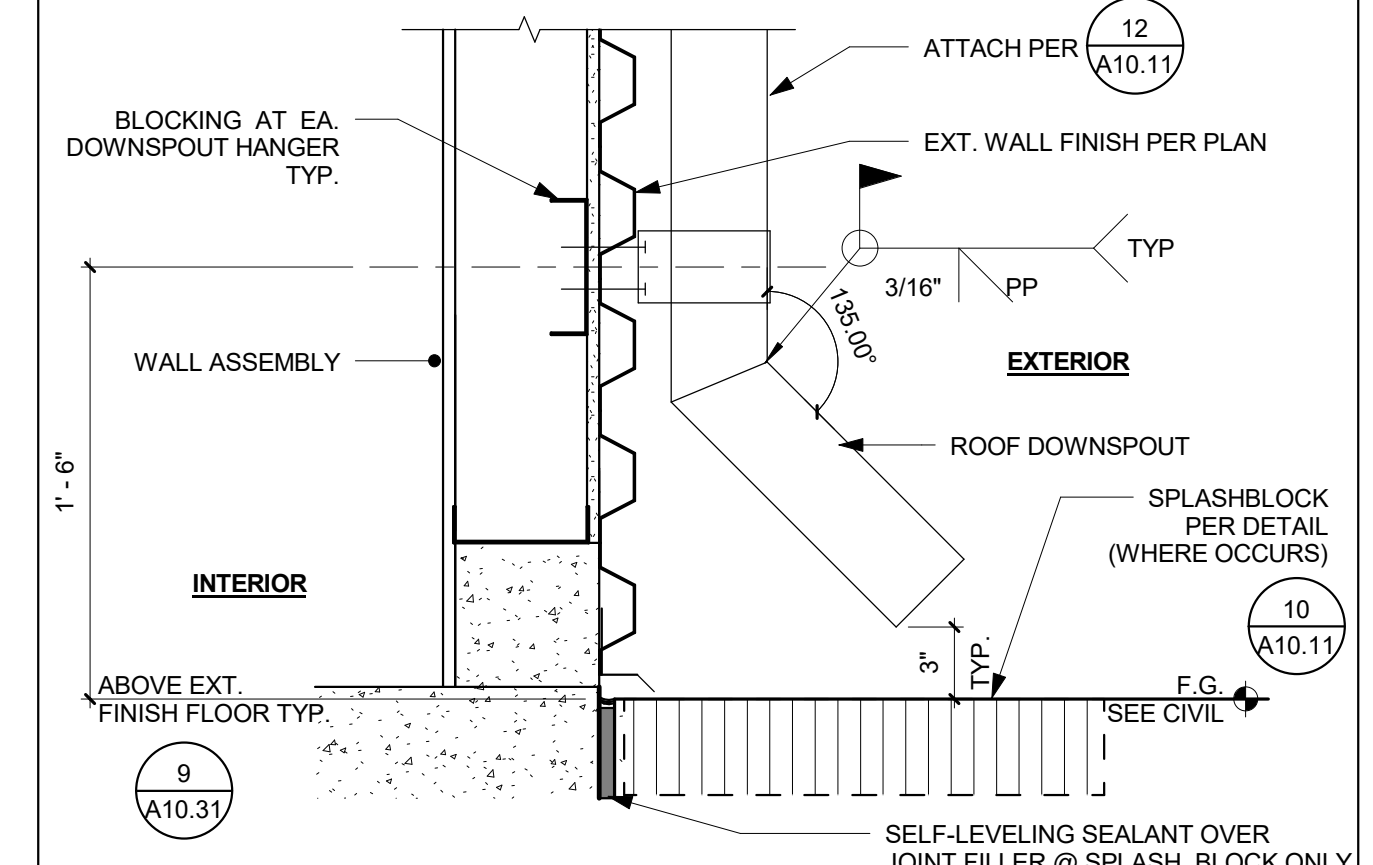
TYPICAL METAL PANEL ASSEMBLY 16 3\"/>



DOWNSPOUT ATTACHMENT 12 3\"/>



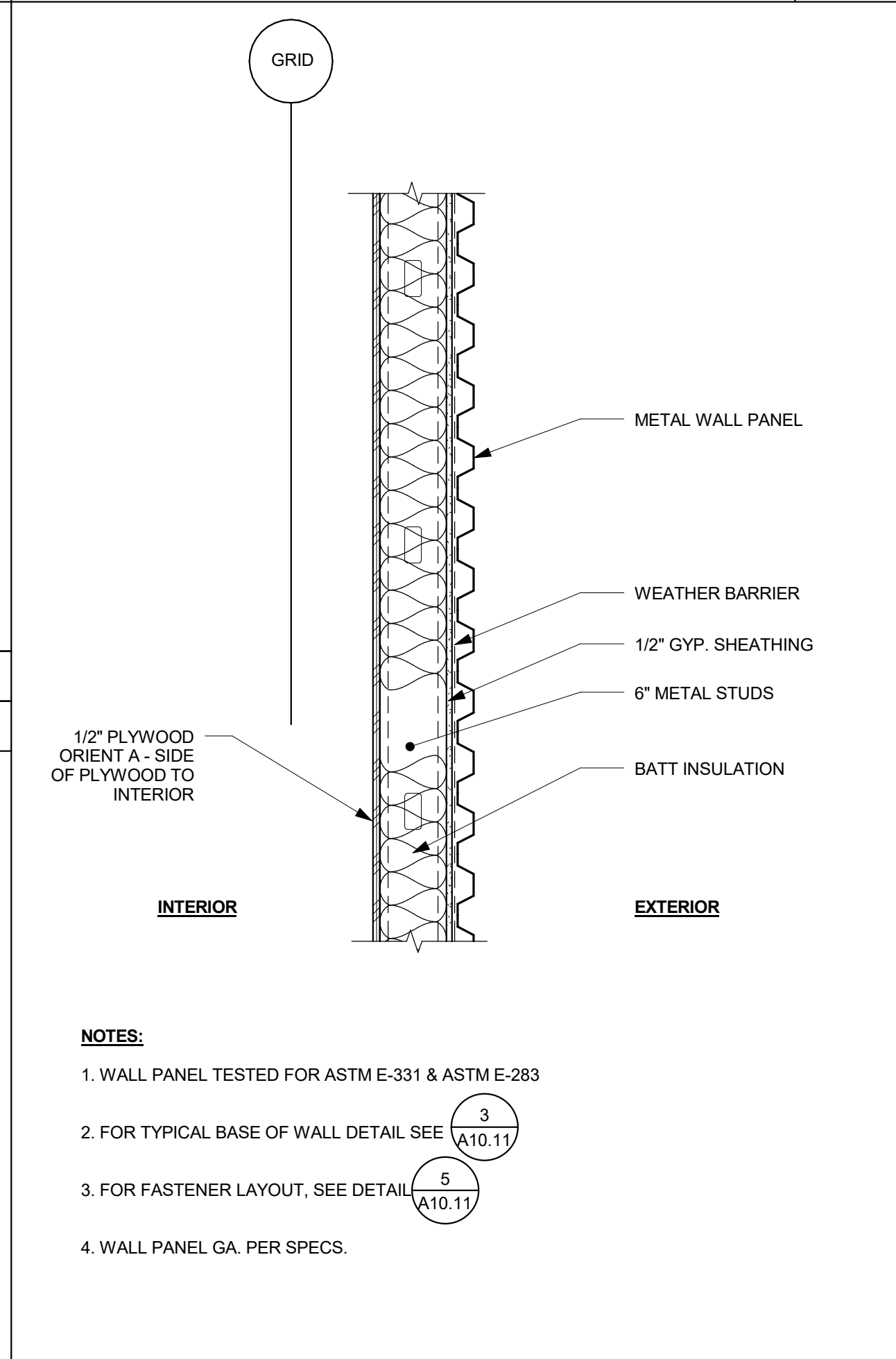
TYPICAL STUD WALL CONDITIONS 7 1 1/2\"/>



DOWNSPOUT 11 1 1/2\"/>



NOT USED 6 1 1/2\"/>



E-S6A 1 1\"/>

Consultant Seal: _____ Agency Approval: FILE NO. 37-C1
 IDENTIFICATION STAMP
 DIV. OF THE STATE ARCHITECT
 APPL. 04-115420
 ACS. _____ FLS. _____ SSS. _____
 DATE _____

Project Title: **PALOMAR COLLEGE**
NEW STORAGE BUILDINGS
 Learning for Success
 1140 W. MISSION RD.
 SAN MARCOS, CA 92069
 (760) 744-1150

| No. | Description | Date |
|--------|--------------------|------------|
| ADA-2A | PRE-BID RFI NO. 05 | 10/18/2018 |

Drawing Title: **WALL DETAILS**

Architect's Seal: _____ Designer: _____ Project No. 3443001-302
 Drawn: Author Scale: As indicated
 QACQ: Checker Drawing No. **A10.11**
 Date: 10/18/2018

C:\Revit Local Files\3443001-A15_Central_mhemandez.rvt